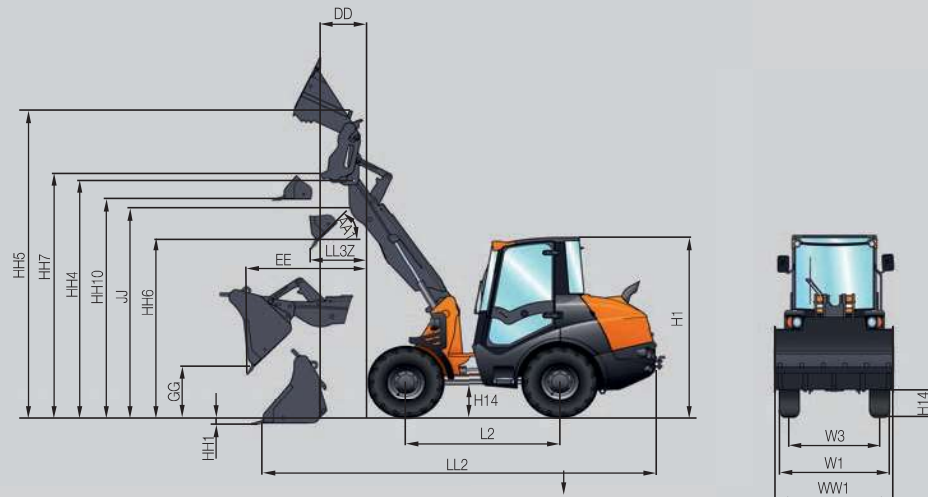


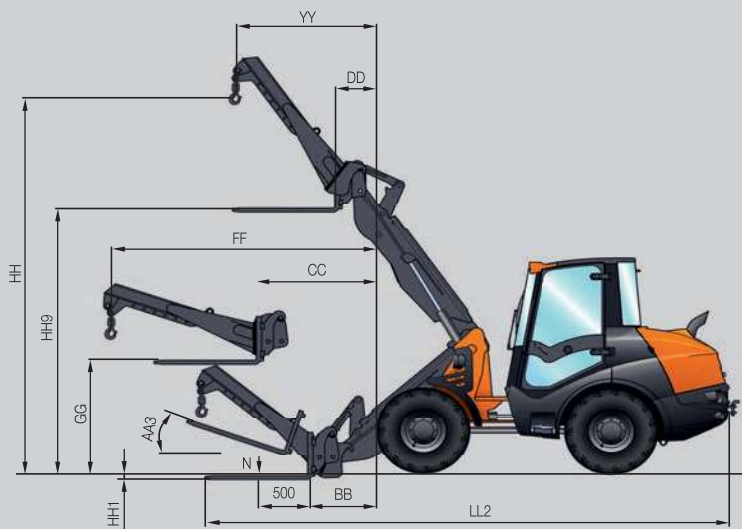
## ZW95-6 dimensions



Buckets		
	Standard 1.00 m <sup>3</sup>	4 x 1 (0.95 m <sup>3</sup> )
AA1	45°	42°
DD		535
EE	1,650	1,785
GG	700	515
H1	2,440	2,440
H4	325	325
H14	415	415
HH1	100	140
HH4	3,270	3,270
HH5	4,250	
HH6	2,400	2,280
HH7		2,980
HH10	3,015	2,980
JJ	2,780	2,770
L2	2,030	2,030
LL2	5,350	5,595
LL3 Z	850	1,030
W1	1,750	1,750
W3	1,405	1,405
WW1	1,850	1,950

### HIGH LIFT

Buckets		
	Standard 1.0 m <sup>3</sup>	4 x 1 (0.95 m <sup>3</sup> )
Density 1.4 t/m <sup>3</sup>		
HH6	2,710	2,590



	Forks	Load hook
AA3	19°	
BB	1,100	
CC	1,365	
DD	435	
FF		2,865
GG	1,355	
HH		4,510
HH1	95	
HH9	3,065	
LL2	5,730	6,385
YY		1,240