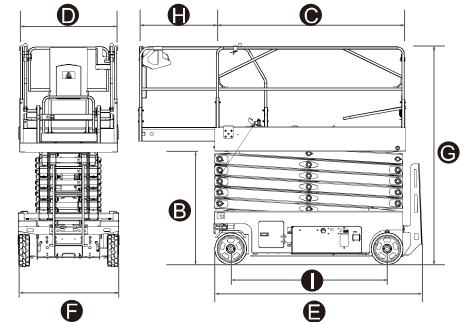


LGMG Hydraulic Motor Drive Scissor Lift

SPECIFICATIONS

MODELS		AS1413 (AS4650)
Measurements	Metric	US
Working Height Max. (indoor/outdoor)	15.8/10m	51.8/32.8ft
A Platform Height-Raised (indoor/outdoor)	13.8 /8m	45.3/26.2ft
B Platform Height-Stowed	1.6m	5.25ft
C Platform Length	2.64m	8.7ft
D Platform Width	1.15m	3.8ft
E Overall Length (with ladder)	2.8m	9.2ft
F Overall Width	1.3m	4.3ft
G Overall Height-Rails Up	2.74m	9ft
Overall Height-Rails Down	2.16m	7.1ft
H Extension Deck	0.9m	3ft
I Wheelbase	2.22m	87.4in
Ground Clearance(Stowed/Raised)	105/20mm	4.1/0.79in
PRODUCTIVITY		
Platform Occupants Max. (in/out)	2/1	2/1
Platform Capacity	320kg	705lbs
Platform Capacity-Extension	120kg	265lbs
Drive Height	Full Height	
Gradeability-Stowed	25 %	
Turning Radius-Inside	0	
Turning Radius-Outside	2.85m	9.4ft
Raise/Lower Speed	85/65 s	
Brakes	Front-wheel Brake	
Drive Mode	4×2	
Tires Type	Solid Non-marking	
Tires Size	380×130mm	15×5in
POWER		
Power Source	24V DC 300Ah	
HYDRAULIC SYSTEM		
Hydraulic Oil Capacity	25.5L	6.7gal
WEIGHT		
Machine Weight(CE/ANSI)	3570kg	7870lbs



STANDARD FEATURES

- Proportional control
- Foldable guardrails
- Emergency stop device
- Manual brake release
- Emergency descent
- Swing-out component trays
- Pothole guards
- Self-lock entry gates
- Tilt alarm with lift cut-out
- Overload sensing system
- Descent alarm with flashing beacons
- Horn/Hour meter
- All motions alarm
- Full-height drive*
- Intelligent diagnostic system

OPTIONAL

- AC power to platform
- Platform anti-collision device
- Air tube to platform
- Maintenance-free battery
- Lithium battery
- GPS

(Note: * Max. drivable height for AS1413 is 8m outdoor use)

Machines in compliant with EN280 / ANSI 92.20 Standard.

Specifications subject to change without notice. Photos and diagrams in the page are for promotional purposes only.
2020 V1 Version

LINGONG GROUP JINAN HEAVY MACHINERY CO., LTD.

Address: No. 2676, Kejia Road, Jinan, Shandong, China
Email: sales@lmg.com.cn Tel:+86-0531-67879283

LGMG Europe B.V.

Address: Laanweg 16 3208LC Spijkenisse Rotterdam, The Netherlands

LGMG North America, Inc.

Address: 1445 Sheffler Dr, Chambersburg, PA. 17201, USA



RELIABILITY IN ACTION